

1J68F

4-Way Adjustments
Silent Soft-Closing Undermount Slide
for Face Framed Cabinets (16mm)



Specifications

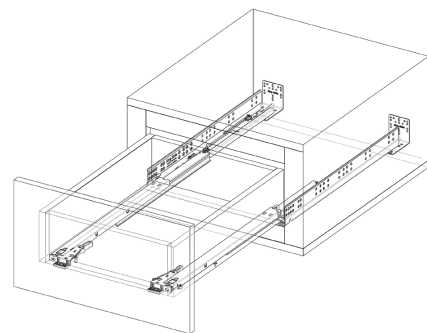
- **Length:** 229 / 305 / 381 / 457 / 533mm
9" / 12" / 15" / 18" / 21"
- **Travel:** Full Extension
- **Maximum Drawer Side Thickness:** 16mm
- **Max. Load Capacity:** 45 kg(100 lb)/pair
- **Mount:** Undermount
- **Material:** Galvanized Steel
- **Height Adjustment:** +3.5mm
- **Side Adjustment:** ±1.5mm
- **Package:** Unit Packed in 6 pairs/carton

Features

- Concealed undermounted runners with full extension travel length
- Ultra smooth gliding motion with high rigidity and stability
- Enhanced silent soft-closing feature with light opening force
- Durable damping system with fast response capability
- Tool-less drawer height adjustment from the drawer front
- Simple drawer assembly and removal with the front release latch
- Dynamic loading capacity of 45kg (100lb) with 50,000 life cycles.

Applications

- For Face Framed Cabinets :Kitchen Cabinetry, Home Furniture and Box Drawers

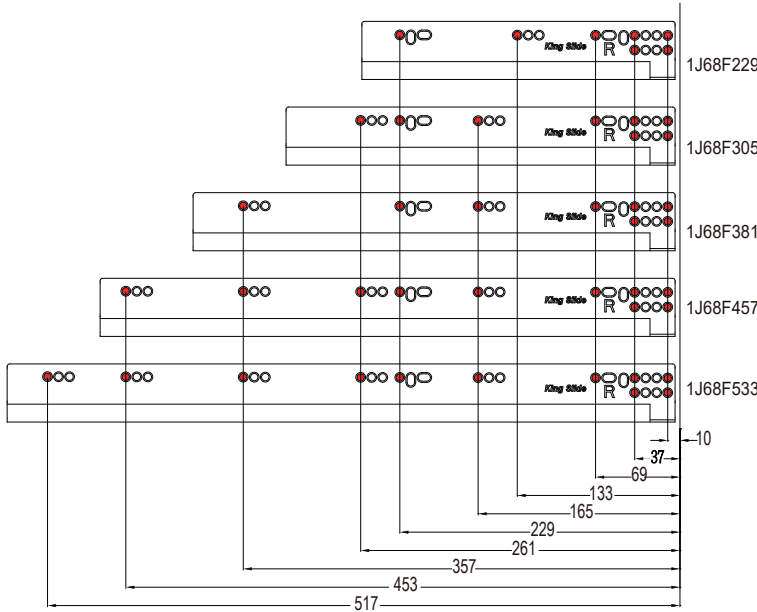


Dimensional Specifications

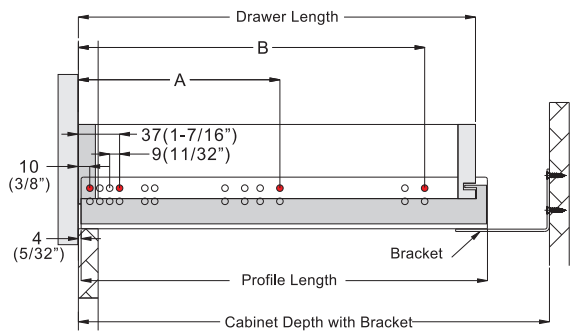
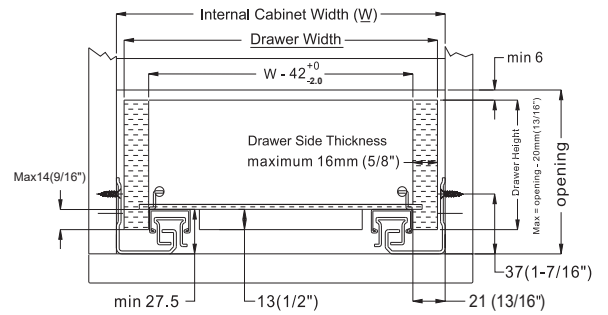
Positions of Cabinet Hole

Red Dots : Minimum Number of Screws.

please ensure the slides are parallel to the horizon or tilted to the cabinet front during installation.



Space Requirements



Drawer Width Formula	
Drawer Side Thickness mm (inch)	"W" minus mm (inch)
16 (5/8")	10 (3/8")
15 (19/32")	12 (15/32")
14 (9/16")	14 (9/16")
13 (1/2")	16 (5/8")
12 (15/32")	18 (23/32")

W: Internal Cabinet Width

Example:

Internal Cabinet Width = 457 mm (18")

Drawer Side Thickness = 13 mm (1/2")

Drawer Width = $457 - 16 = 441^{+0}_{-2.0}$ mm
 = (18") - (5/8") = 17-3/8"

O	X
Bugle head screw 	System Screws

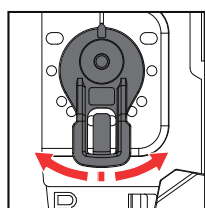
Note: Holes other than those shown are stamped for internal manufacturing purposes and may change without notice.

Item No.	Drawer Length mm (inch)	Overall Cabinet Depth mm (inch)	Cabinet Depth With Bracket mm (inch)		Profile Length mm (inch)	System Screw Locations mm (inch)	
			MAX	MIN		A	B
1J68F229	229 (9")	305 (12")			256 (10-1/16")	133 (5-1/4")	229 (9")
1J68F305	305 (12")	381 (15")	369 (14-9/16")	326 (12-7/8")	318 (12-1/2")	165 (6-1/2")	261 (10-1/4")
1J68F381	381 (15")	457 (18")	446 (17-9/16")	403 (15-7/8")	394 (15-1/2")	165 (6-1/2")	357 (14-1/16")
1J68F457	457 (18")	533 (21")	522 (20-9/16")	479 (18-7/8")	470 (18-1/2")	261 (10-1/4")	453 (17-13/16")
1J68F533	533 (21")	610 (24")	598 (23-9/16")	555 (21-7/8")	546 (21-1/2")	261 (10-1/4")	517 (20-3/8")

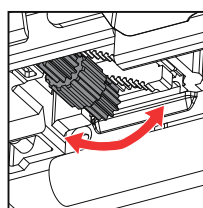
Fit with American standard 3" cabinet depth system.

4-Way Adjustments

Easy Assembly with Front-End Installation.



Side Adjustment ±1.5



Height Adjustment +3.5 / -0

Drawer Removal:
Simply press the front release device to remove the drawer.

Our specially designed front-end installation allows quick and simple drawer installation and removal.

