

1J69F

6 Ways Adjustable
Silent Soft-Closing Undermount Slide
for Face Framed Cabinets (16mm)



Specifications

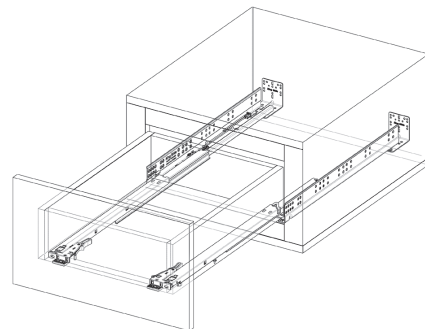
- **Length:** 229 / 305 / 381 / 457 / 533mm
9" / 12" / 15" / 18" / 21"
- **Travel:** Full Extension
- **Maximum Drawer Side Thickness:** 16mm
- **Max. Loading Capacity:** 45 kg(100 lb)/pair
- **Mount:** Undermount
- **Material:** Galvanized Steel
- **Height Adjustment:** +3.5 mm
- **Side Adjustment:** ± 1.5 mm
- **Depth Adjustment:** ± 2 mm
- **Package:** Unit Packed in 6 pairs/carton

Features

- Undermounted concealed runners with full extension travel length
- Ultra smooth gliding motion with high rigidity and stability
- Enhanced silent soft-closing feature with light opening force
- Durable damping system with fast response capability
- Tool-less drawer height adjustment from the drawer front
- Tool-less drawer side adjustment from locking device.
- Tool-less built in depth adjustment roller on the drawer member.
- Simple assembly and removal of drawer with the front release latch
- Dynamic loading capacity of 40kg (88lb) with 100,000 life cycles, or 45kg (100lb) with 50,000 life cycles
- Can be mounted either in face frame style using rear bracket, or in frameless style to the side of the cabinet.

Applications

- For Face Framed Cabinets :
Kitchen Cabinetry, Home Furniture and Box Drawers.

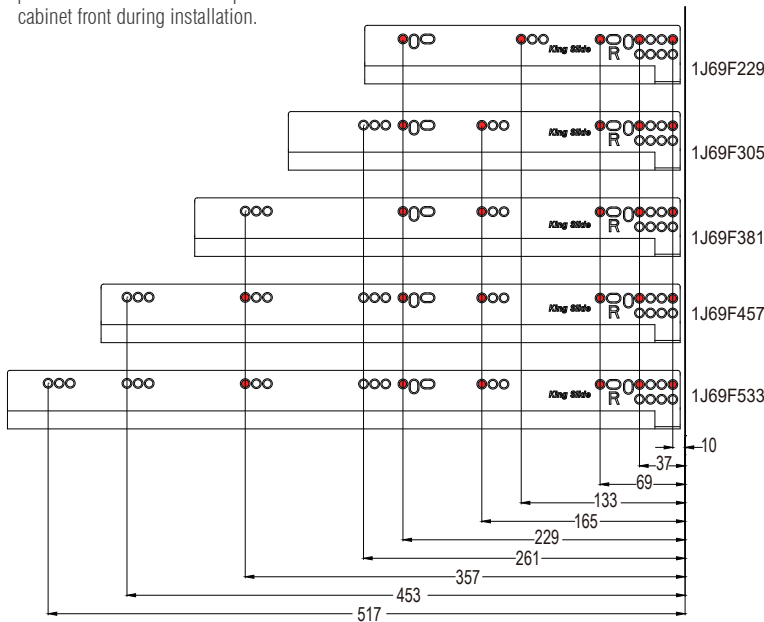


Dimensional Specifications

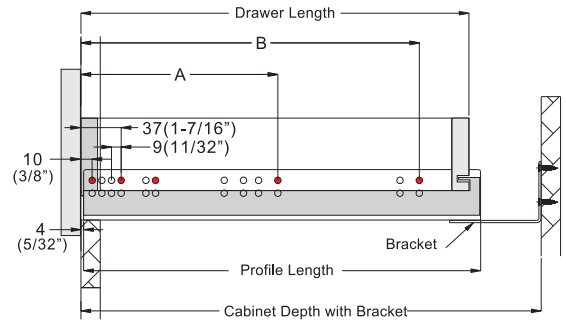
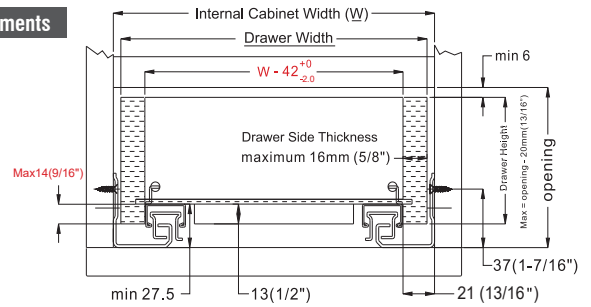
Positions of Cabinet Hole

● **Red Dots : Minimum Number of Screws.**

please ensure the slides are parallel to the horizon or tilted to the cabinet front during installation.



Space Requirements



Drawer Width Formula	
Drawer Side Thickness mm (inch)	"W" minus mm (inch)
16 (5/8")	10 (3/8")
15 (19/32")	12 (15/32")
14 (9/16")	14 (9/16")
13 (1/2")	16 (5/8")
12 (15/32")	18 (23/32")

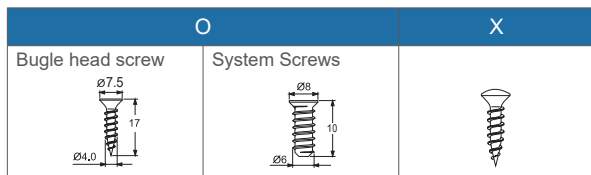
W: Internal Cabinet Width

Example:

Internal Cabinet Width = 457 mm (18")

Drawer Side Thickness = 13 mm (1/2")

Drawer Width = $457 - 16 = 441^{+0}_{-2.0}$ mm
= (18") - (5/8") = 17-3/8"

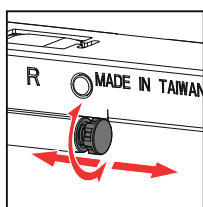


Note: Holes other than those shown are stamped for internal manufacturing purposes and may change without notice.

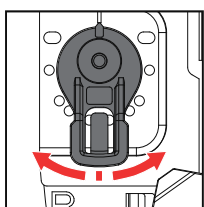
Item No.	Drawer Length mm (inch)	Overall Cabinet Depth mm (inch)	Cabinet Depth With Bracket mm (inch)		Profile Length mm (inch)	System Screw Locations mm (inch)	
			MAX	MIN		A	B
1J69F229	229 (9")	305 (12")			256 (10-1/16")	133 (5-1/4")	229 (9")
1J69F305	305 (12")	381 (15")	369 (14-9/16")	326 (12-7/8")	318 (12-1/2")	165 (6-1/2")	261 (10-1/4")
1J69F381	381 (15")	457 (18")	446 (17-9/16")	403 (15-7/8")	394 (15-1/2")	165 (6-1/2")	357 (14-1/16")
1J69F457	457 (18")	533 (21")	522 (20-9/16")	479 (18-7/8")	470 (18-1/2")	261 (10-1/4")	453 (17-13/16")
1J69F533	533 (21")	610 (24")	598 (23-9/16")	555 (21-7/8")	546 (21-1/2")	261 (10-1/4")	517 (20-3/8")

Fit with American standard 3" cabinet depth system.

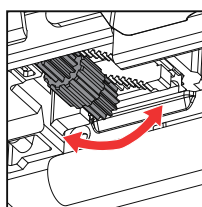
6-Way Adjustments



Depth Adjustment ±2.0



Side Adjustment ±1.5



Height Adjustment +3.5 / -0

Easy Assembly with Front-End Installation.

Drawer Removal:
Simply press the front release device to remove the drawer.

Our specially designed front-end installation allows quick and simple drawer installation and removal.

