

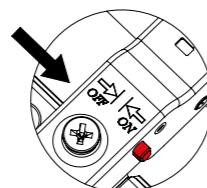


# 9252

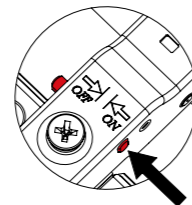
## Adjustable Concealed Soft-Close Hinge

### Specifications

- **Cup Diameter:** 35mm
- **Cup Depth:** 13mm
- **Opening:** 105°
- **Finish:** Nickel-plated
- **Material:** Cold rolled steel
- **Overlay:** 18mm, 9mm, 0mm
- **Door Thickness:** 16~22mm

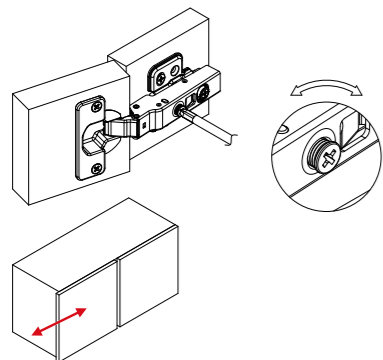


**Deactivate Soft-Close Function**  
Press OFF button and close the door to reset.

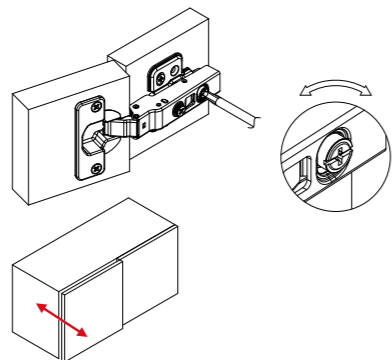


**Activate Soft-Close Function**  
Press ON button to activate soft close function.

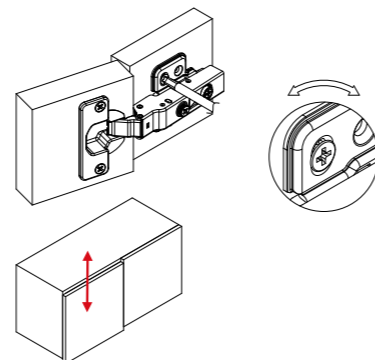
### Assembly and Adjustments



Side adjustment L 0.5mm  
R 3.5mm



Depth adjustment In 2.25mm  
Out 2.25mm



Height adjustment Up 2.0mm  
Down 2.0mm

Model	Spec.		Screws	Knock-in Dowels		
Overlay	Spec	Figure	Hole Pattern	Model No.	Hole Pattern	Model No.
18mm			52mm	9252-0121-NZH	52mm	9252-0131-NZH
			45mm	9252-0221-NZH	45mm	9252-0231-NZH
9mm			52mm	9252-0122-NZH	52mm	9252-0132-NZH
			45mm	9252-0222-NZH	45mm	9252-0232-NZH
0mm			52mm	9252-0123-NZH	52mm	9252-0133-NZH
			45mm	9252-0223-NZH	45mm	9252-0233-NZH

Number of Hinges Per Door	Drilling Pattern										
<p>The number of hinges depends on the door weight. The dimensions can be referred to the figures in the following table. The maximum width and thickness of the door are 600mm and 22mm.</p> <table border="1"> <tr> <td>Hinge Qty</td> <td>2</td> <td>3</td> <td>4</td> <td>5</td> </tr> <tr> <td>Load Capacity</td> <td>&lt;6.3kg (14lbs)</td> <td>6.3~11kg (14~24lbs)</td> <td>11~14.4kg (24~32lbs)</td> <td>14.4~18kg (32~40lbs)</td> </tr> </table>	Hinge Qty	2	3	4	5	Load Capacity	<6.3kg (14lbs)	6.3~11kg (14~24lbs)	11~14.4kg (24~32lbs)	14.4~18kg (32~40lbs)	<p>Unit: mm</p>
Hinge Qty	2	3	4	5							
Load Capacity	<6.3kg (14lbs)	6.3~11kg (14~24lbs)	11~14.4kg (24~32lbs)	14.4~18kg (32~40lbs)							

### Base Plates for Hinges

Spec.	Material	Finish	Model No.
	Steel	Nickel-plated	179
	Steel / Plastic	Nickel-plated	180
	Steel / Plastic	Nickel-plated	521
	Steel	Nickel-plated	522